

JBC

www.jbctools.com

INSTRUCTION MANUAL



Premium Complete Rework Station with Electric Pump

Ref. RMSE-E

Packing List

The following items should be included:

JTSE Control Unit 1 u
 Ref. JTSE-1A (100V - 120V)
 JTSE-2A (230V)



DDE Control Unit 1 u
 Ref. DDE-1C (120V)
 DDE-2C (230V)
 DDE-9C (100V)



Electric Desoldering Module 1 u
 Ref. MSE-A



Stand 1 unit
 Ref. JT-SE



Stand 1 unit
 Ref. AD-SE



Stand 1 unit
 Ref. DR-SE



Heater hose set 1 unit
 Ref. JT-T1A (100V / 120V)
 JT-T2A (230V)



General Purpose Handle 1 unit
 Ref. T245-A



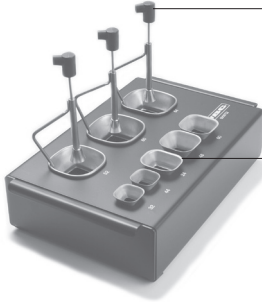
Desoldering Iron 1 unit
 Ref. DR560-A
C560003 already inserted



JT Accessory set

Ref. 0012332

Extractor stand* 1 unit
Ref. 0008752



Extractors*
Ref. E2184
E2064
E2052

Tripod*
Ref. T2050
(Ø 39mm)
T2250
(Ø 85mm)



Protectors*
Ref. P2220
P2230
P2235
P4000
P4010

Suction Tube*
Ref. 0932330



ESD Tip Cleaner 1 unit
Ref. CL8499



Suction Cups*
Ref. 0930110
Ø 10 - 0934050 (x3)
Ø 4.7 - 0934070 (x1)

Nozzles
Ref. JN2015 (x1)
JN2012 (x1)
JN2020 (x1)



Cartridges 2 units
Ref. C245903 (x1)
C245906 (x1)



Sponge 1 unit
Ref. S0354



Metal Brush 1 unit
Ref. CL6217



Sponge 1 unit
Ref. CL6210



* These accessories are not supplied with JTSE-1QA / JTSE-2QA stations.

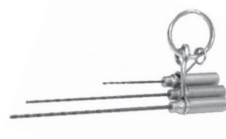
DR560 Accessories

Ref. 0010211

Tip cleaning set 1 unit
Ref. 0965970



Long Tip Cleaning set 1 unit
Ref. 0965760



Tips 3 units
Ref. C560005 (x1)
C560013 (x1)
C560004 (x1)



Glass solder collector 1 unit
Ref. 0812620



Spanner 1 unit
Ref. 0780550



Filter Box 1 unit
Ref. 0780840
It contains 10 filters



Internal gasket 1 unit
Ref. 0019208
It contains 2 gaskets



Metal solder collector 1 unit
Ref. 0812630



Cotton Filter 1 unit
Ref. 0781046
It contains 10 filters



Filter Box 1 unit
Ref. 0005966
It contains 50 filters



Suction Filter 1 unit
Ref. 0821830



Pick & Place 1 unit
Ref. T260-A



Bent Needles Set 1 unit
Ref. 0861660



Straight Needles Set ... 1 unit
Ref. 0901546



**Thermocouple
Type K** 1 unit
Ref. PH218



Cups Set 1 unit
Ref. 0940163



Cleaning stick 1 unit
Ref. 0786640



Stand Cable 2 units
Ref. 0011283



Module Cable 1 unit
Ref. 0014874



Power cord
For DDE 1 unit
Ref. 0013671 (100/120V)
0010569 (230V)



Power cord
For JTSE 1 unit
Ref. 0009417 (100V/120V)
0009401 (230V)



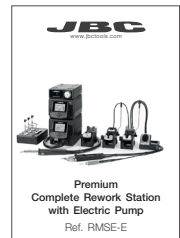
**Union
Flanges** 1 unit
Ref. 0011356



**Cartridge
holder** 1 unit
Ref. 0021083



Manual 1 unit
Ref. 0021456



JTSE Features

Thermocouple type K
Ref. PH218



Activates the suction pump

Suction Tube
For tripods and extractors



USB-A connector

Heating element

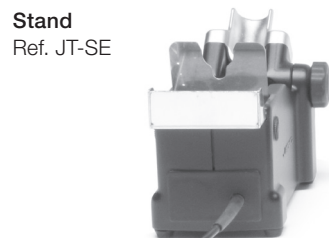
Hot Air button
(On / Off)

Heater Hose set
Ref. JT-T1A (100V/120V)
JT-T2A (230V)



JTSE Connection

Stand
Ref. JT-SE



Auxiliar connector

Equipotential connector

USB connector

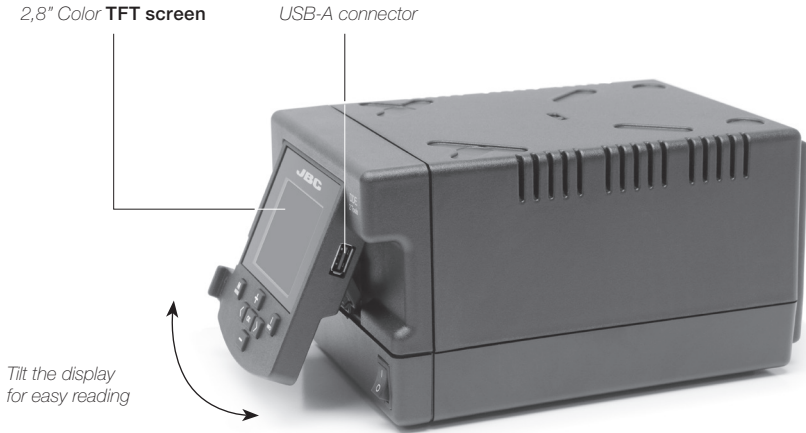
Robot RS232 connector

Power Socket

Fuse

P-005 Pedal connector

DDE Features

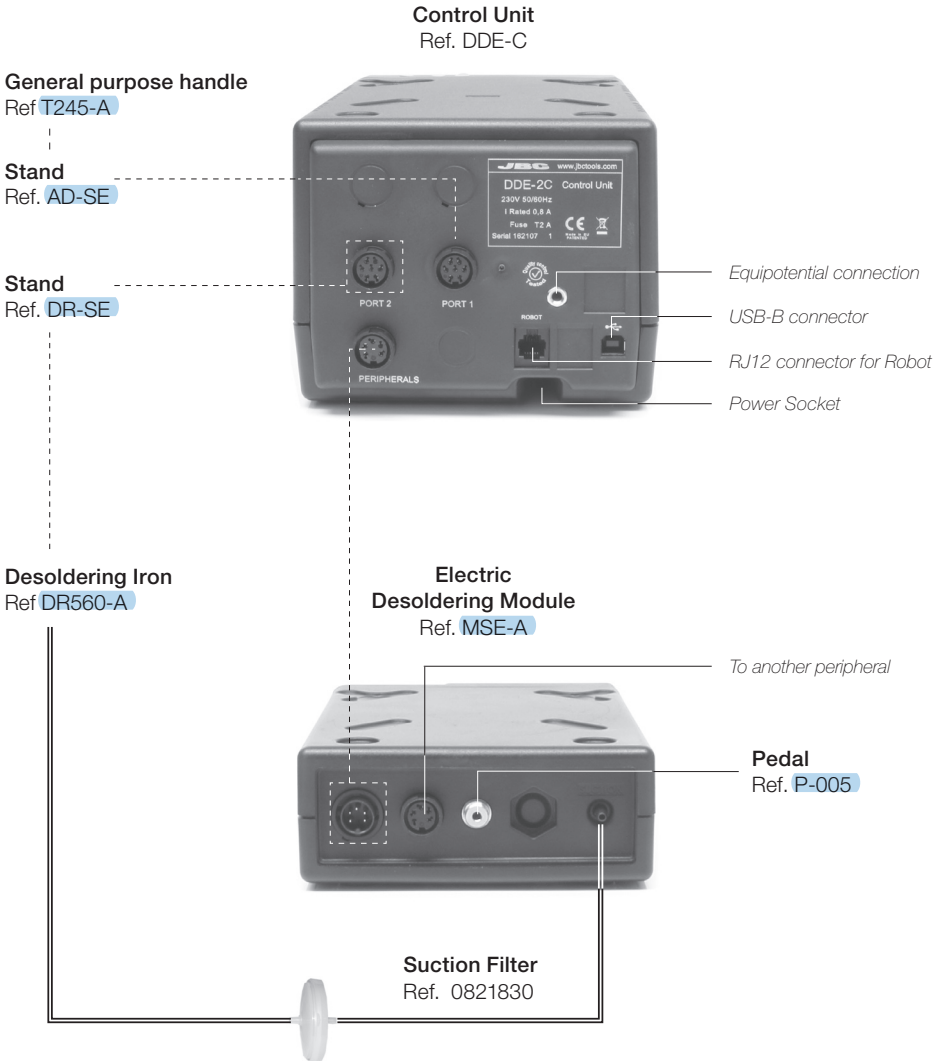


MSE Features



DDE & MSE Connections

Work simultaneously with **up to 2 tools** and join each station port with **1 module** + 1 pedal (Peripherals).



DDE Compatibility

Select the equipment that best suit your soldering or desoldering needs.

Basic working system				Peripherals**			
Control Unit	Tool	Cartridge Range	Stand	MSE-A / MVE-A	MNE-A	FSE-A	P-005
DDE-C	T210-A	C210	AD-SE			●	●
	T245-A	C245				●	●
	T470-A	C245				●	●
	T210-NA*	C210	DN-SE				
	T245-NA*	C245		●		●	
	T470-NA*						
	AP250-A	C250	AP-SE			●	●
	PA120-A	C120	PA-SE			●	●
	HT420-A	C420	HT-SE			●	●
	DS360-A	C360	DS-SE	●			●
DR560-A	C560	DR-SE	●			●	

* The **MNE Nitrogen Flow Regulator** is required.

If you need to connect the **MS, MV, MN or **FS** modules, an adapter is required (Ref. IM2496).

MSE Compatibility

Module	Tool	Cartridge Range	Stand	Control Units		Peripherals
				DDE	DME	P-005
MSE-A	DS360-A	C360	DS-SE	●	●	●
	DR560-A	C560	DR-SE	●	●	●

Hot Air Stations Compatibility

Basic working system				Nozzle		Peripherals
Control Unit	Tool	Heating Element	Stand	JN Series	TN Series	P-005
JTSE-A	JT-A	0014107 (230V)	JT-SE	●		●
		0014105 (100V/120V)				
TESE-B	TE-B	0012374 (100V/120V/230V)	TE-SE		●	●

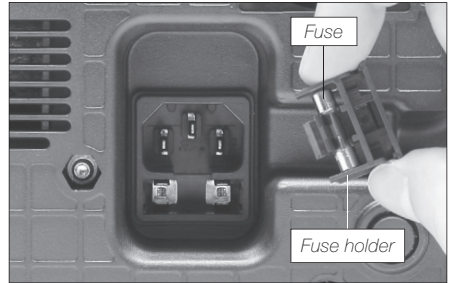
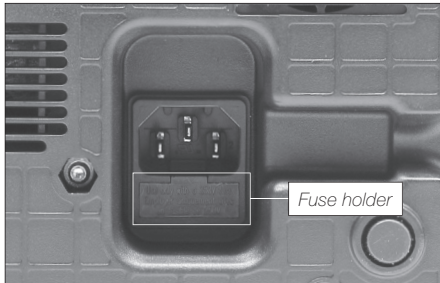
Maintenance

Before carrying out maintenance or storage, always allow the equipment to cool.

- Clean the station screen with a glass cleaner or a damp cloth.
- Use a damp cloth to clean the casing and the tool. Alcohol can only be used to clean the metal parts.
- Periodically check that the metal parts of the tool and stand are clean so that the station can detect the tool status.
- Maintain tip surface clean and tinned prior to storage in order to avoid tip oxidation. Rusty and dirty surfaces reduce heat transfer to the solder joint.
- Periodically check all cables and tubes.
- Replace a blown fuse as follows:



Clean periodically



1. Pull off the fuse holder and remove the fuse. If necessary use a tool to lever it off.

2. Press the new fuse into the fuse holder and replace it in the station.

- Replace any defective or damaged pieces. Use original JBC spare parts only.
- Repairs should only be performed by a JBC authorized technical service.

Safety



It is imperative to follow safety guidelines to prevent electric shock, injury, fire or explosion.

- Do not use the units for any purpose other than soldering or rework. Incorrect use may cause fire.
- The power cable must be plugged into approved bases. Make sure that it is properly grounded before use. When unplugging it, hold the plug, not the wire.
- Do not work on electrically live parts.
- The tool should be placed in the stand when not in use in order to activate the sleep mode. The soldering tip, the metal part of the tool and the stand may still be hot after the station is turned off. Handle with care, including when adjusting the stand position.
- Do not leave the appliance unattended when it is on.
- Do not cover the ventilation grills. Heat can cause inflammable products to ignite.
- Avoid flux coming into contact with skin or eyes to prevent irritation.
- Be careful with the fumes produced when soldering.
- Keep your workplace clean and tidy. Wear appropriate protection glasses and gloves when working to avoid personal harm.
- Utmost care must be taken with liquid tin waste which can cause burns.
- This appliance can be used by children over the age of eight as well as persons with reduced physical, sensory or mental capabilities or lacking experience provided that they have been given adequate supervision or instruction concerning use of the appliance and understand the hazards involved. Children must not play with the appliance.
- Maintenance must not be carried out by children unless supervised.

Specifications

Complete Rework station with Electric Pump

RMSE-1E / RMSE-2E / RMSE-9E

- Total weight: 14,554 kg (32.08 lb)

JTSE-1A 100V - 120V 50/60Hz. Input fuse: 8A. Rated current: 7A

JTSE-2A 230V 50/60Hz. Input fuse: 4A. Rated current: 3A

- Net Weight: 4,9 kg (10.86 lb)
- Dimensions (control unit): 148 x 184 x 140 mm (5.83 x 7.24 x 5.51 in)
- Nominal power: 700W
- Temperature selection: Room temp. / 150 - 450 °C (300 - 840 °F)
- Cool mode: T off. Used to blow air to room temperatur
- Ambient operating temp.: 10 - 40 °C (50 - 104 °F)
- Air flow regulation: 5 - 50 SLPM
- Vacuum: 30% / 228 mmHg / 9 inHg
- Connectors: USB station-PC
Robot RS232
P-005 Pedal

DDE-1C 120V 50/60Hz. Input fuse: 4A. Output: 23,5V.

DDE-2C 230V 50/60Hz. Input fuse: 2A. Output: 23,5V.

DDE-9C 100V 50/60Hz. Input fuse: 5A. Output: 23,5V.

- Weight: 3,8 kg (8.41 lb)
- Dimensions: 148 x 120 x 232 mm (5.83 x 4.72 x 9.13 in)
- Output Peak Power: 150W per tool
- Temperature Range: 90 - 450 °C (190 - 840 °F) ±5%
- Idle Temp. Stability (still air): ±1.5 °C (±3 °F)
- Tip to ground resistance: <2 ohms
- Tip to ground voltage: <2mV RMS
- Ambient operating temp.: 10 - 40 °C (50 - 104 °F)
- Connections: USB-A / USB-B / Peripherals connectors
RS-232 remote control or Smart Fume Extractor connection

MSE-A

- Net Weight: 1,218 kg (2.69 lb)
- Dimensions: 145 x 55 x 225 mm (5.71 x 2.17 x 8.86 in)
- Vacuum: 75% / 570 mmHg / 22.4 inHg
- Flow rate: 9 SLPM
- Ambient operating temp.: 10 - 40 °C (50 - 104 °F)
- P-005 Pedal connection

Complies with CE standards.

ESD protected housing.

有害物质含量表

产品中有害物质的名称及含量

部件名称	有害物质					
	铅(Pb)	汞(Hg)	镉(Cd)	六价铬 (Cr(VI))	多溴联苯 (PBB)	多溴二苯醚 (PBDE)
烙铁头	○	○	○	○	○	○
手柄	○	○	○	○	○	○
电源线	○	○	○	○	○	○
主机	○	○	○	○	○	○
电源插座	○	○	○	○	○	○
保险丝	○	○	○	○	○	○
主开关	○	○	○	○	○	○
电位连接	X	○	○	○	○	○
变压器	○	○	○	○	○	○
线路板	X	○	○	○	○	○

○ 表示该有害物质在该部件所有均质材料中的含量均在GB/T 26572 规定的限量要求以下。
 X 表示该有害物质至少在该部件的某一均质材料中的含量超出GB/T 26572 规定的限量要求。

Exploded View

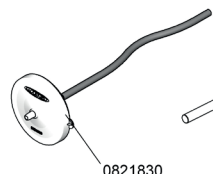
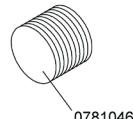
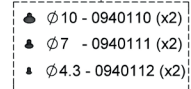
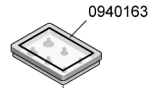
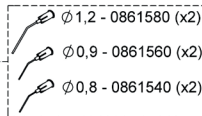
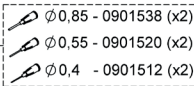
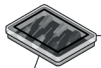
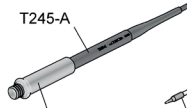
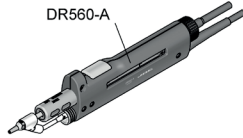
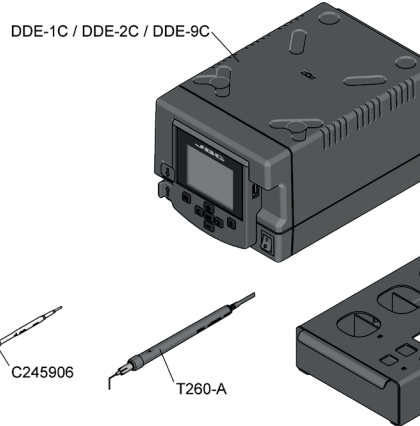
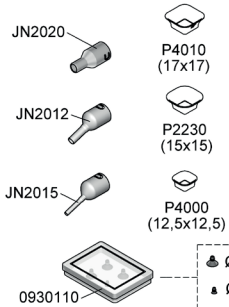
RMSE-1E 120V
RMSE-2E 230V
RMSE-9E 100V
 COMPLETE REWORK STATION
 WITH ELECTRIC PUMP

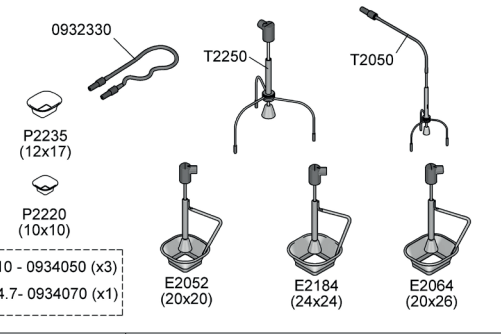
SPARE PARTS	
DDE-1C / DDE-2C / DDE-9C:	
-REAR CIRCUIT	0018129
-ENCLOSURE	
· TOP	0019028
· BOTTOM	0014567
· FRONT+DISPLAY	0019246
· BACK	0013413
MSE-A:	
-CIRCUIT	0018453
-ENCLOSURE	
· TOP	0015266
· BOTTOM	0014010
· FRONT	0014688
· BACK	0015261
-PUMP	0005652

DDE-1C 120V FUSE T-4A
 DDE-2C 230V FUSE T-2A
 DDE-9C 100V FUSE T-5A

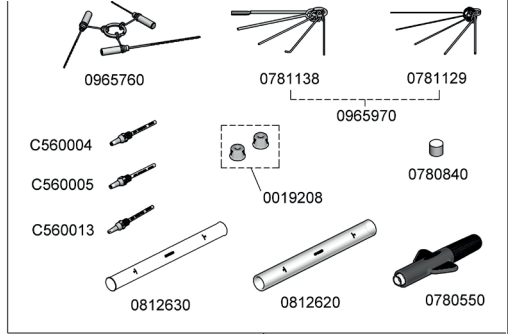
SPARE PARTS	
JTSE-1A / JTSE-2A	
-ENCLOSURES:	
· TOP	0019028
· BOTTOM	0013486
· FRONT	0016862
· BACK	0016812
JTSE-1A	
-CIRCUIT	0017185
-SUCTION PUMP	0008723
-HOT AIR PUMP	0015970
JTSE-2A	
-CIRCUIT	0019303
-SUCTION PUMP	0008722
-HOT AIR PUMP	0015970

JTSE-1A 100/120V FUSE T-8A
 JTSE-2A 230V FUSE T-4A

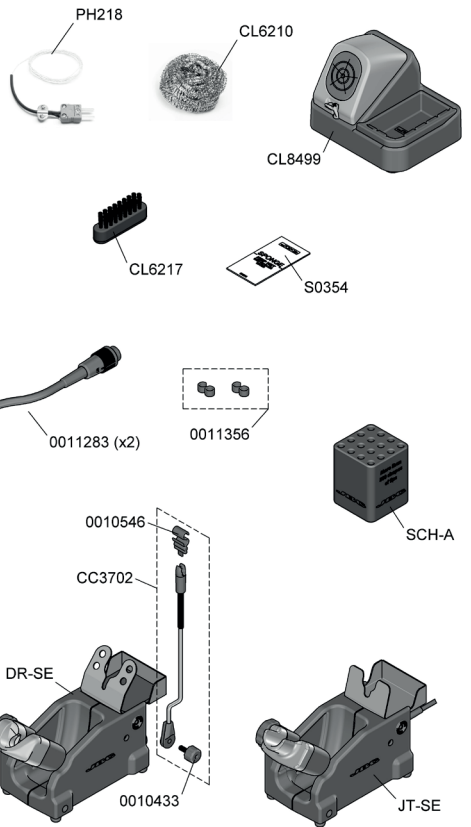
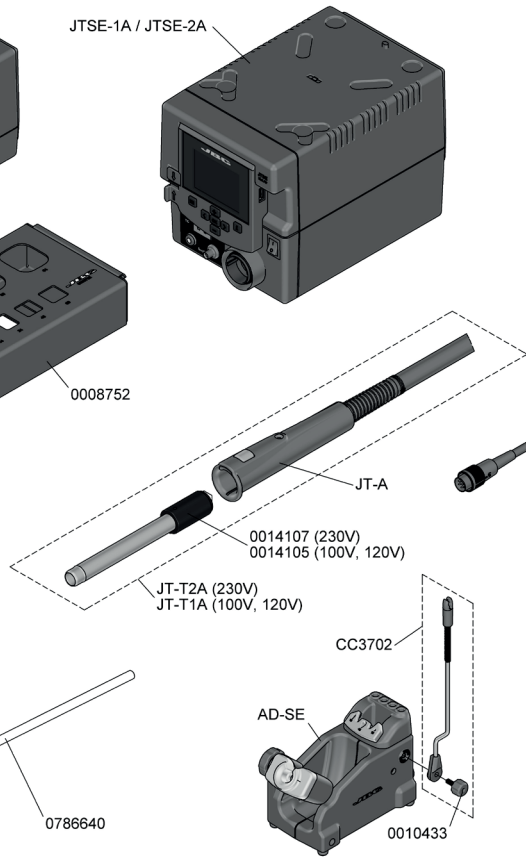




0012332



0010211



JBC

Warranty

JBC's 2 year warranty covers this equipment against all manufacturing defects, including the replacement of defective parts and labour.

Warranty does not cover product wear or misuse.

In order for the warranty to be valid, equipment must be returned, postage paid, to the dealer where it was purchased.

Register your warranty within 30 days of purchase in www.jbctools.com/productregistration



This product should not be thrown in the garbage.

In accordance with the European directive 2002/96/EC, electronic equipment at the end of their life must be collected and returned to an authorized recycling facility.



Manual in other languages available on our website

www.jbctools.com