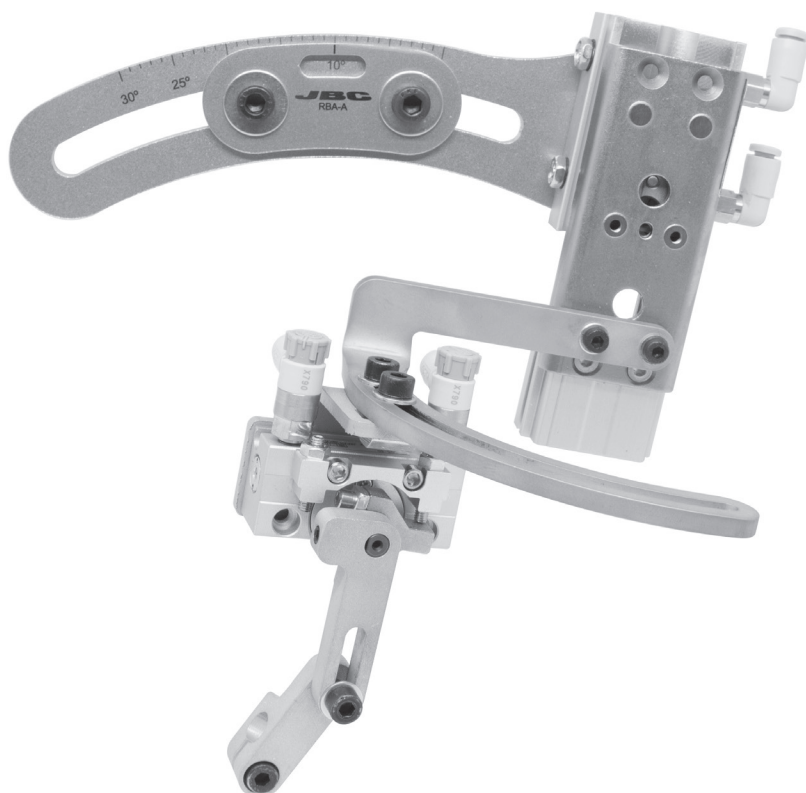


# JBC

[www.jbctools.com](http://www.jbctools.com)

## INSTRUCTION MANUAL



## Soldering Head for Automation

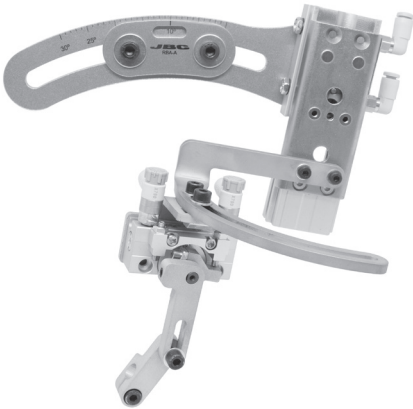
Ref. RBA-A

# Packing List

The following items should be included:

**Soldering Head for Automation** ..... 1 unit  
Ref. RBA-A

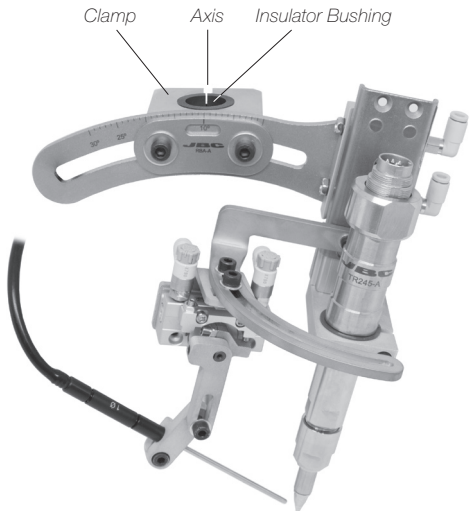
**Manual** ..... 1 unit  
Ref. 0021309



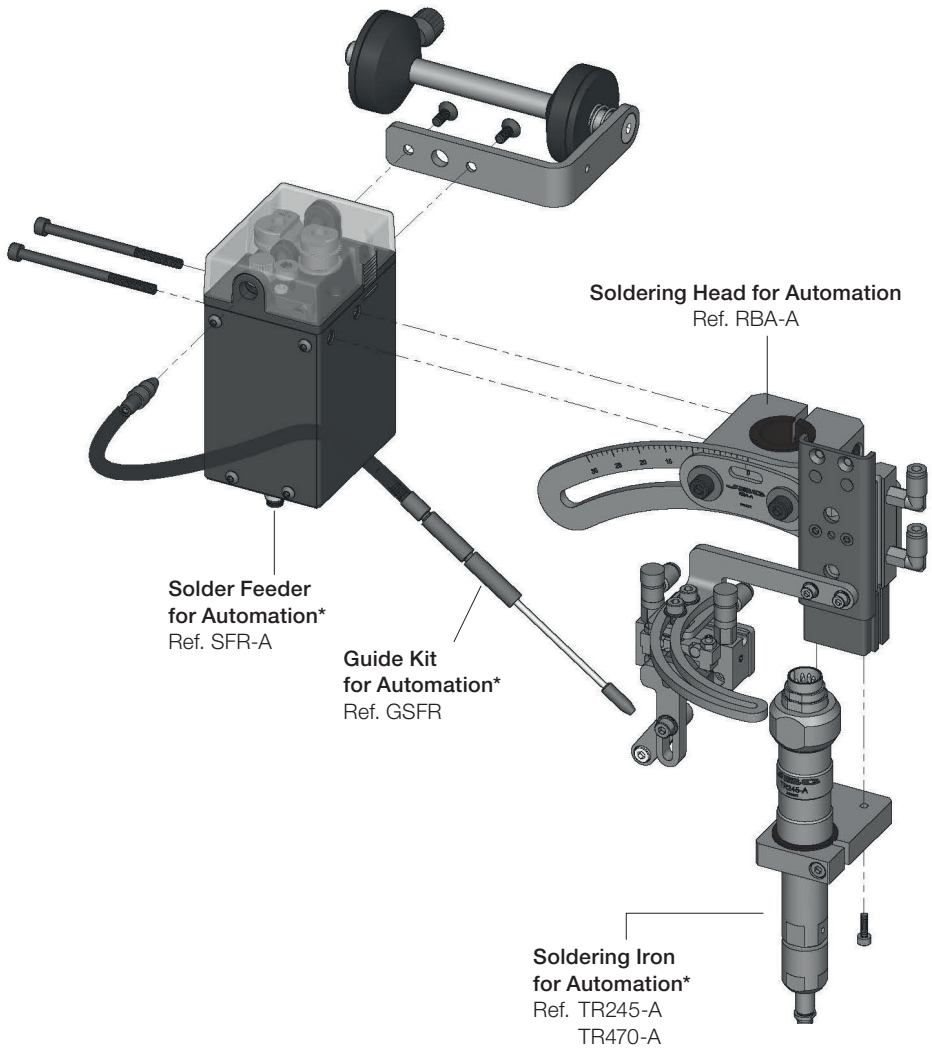
# Assembly

The Robot needs a 18mm diameter axis to attach the **Soldering Head** by using the Clamp with its Insulator Bushing.

It is mandatory to have the electrical Insulator Bushing assembled for proper tool working.  
**Don't remove the Insulator.**

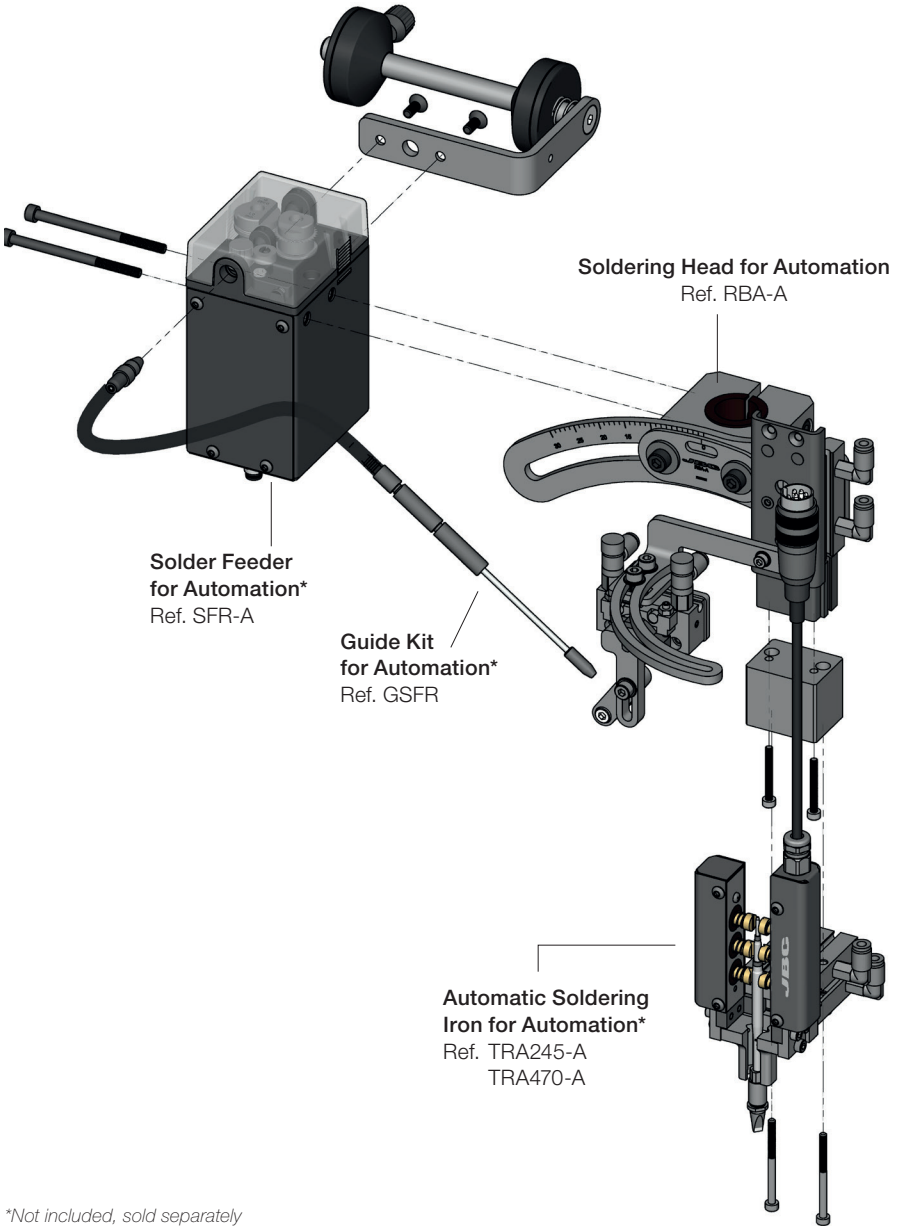


## Assembly with TR and SFR



\*Not included, sold separately

# Assembly with TRA and SFR



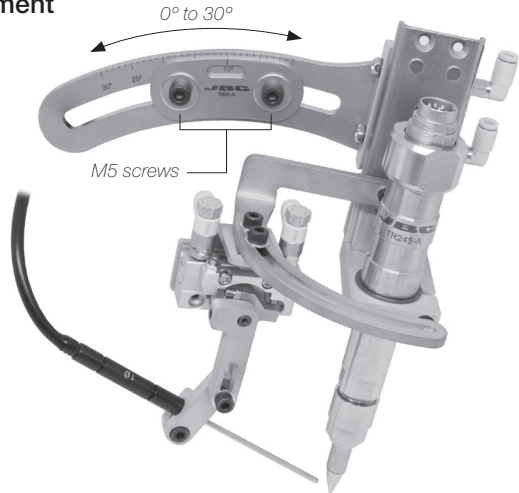
*\*Not included, sold separately*

## Adjustment

The **Soldering Head for Automation** allows adjustment of the Soldering Iron position, as well as the dispensing Nozzle position.

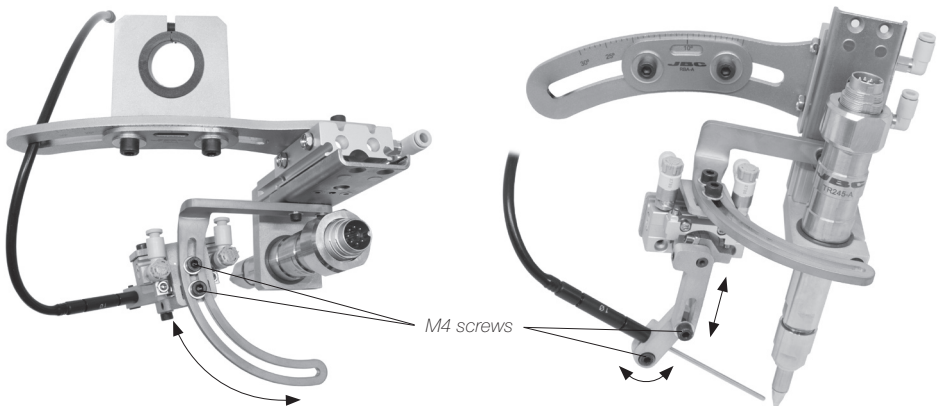
### Soldering Iron position adjustment

The angle of the Soldering Iron is adjustable from 0° to 30°. Loosen and tighten the M5 screws to change its position.



### Dispensing Nozzle position adjustment

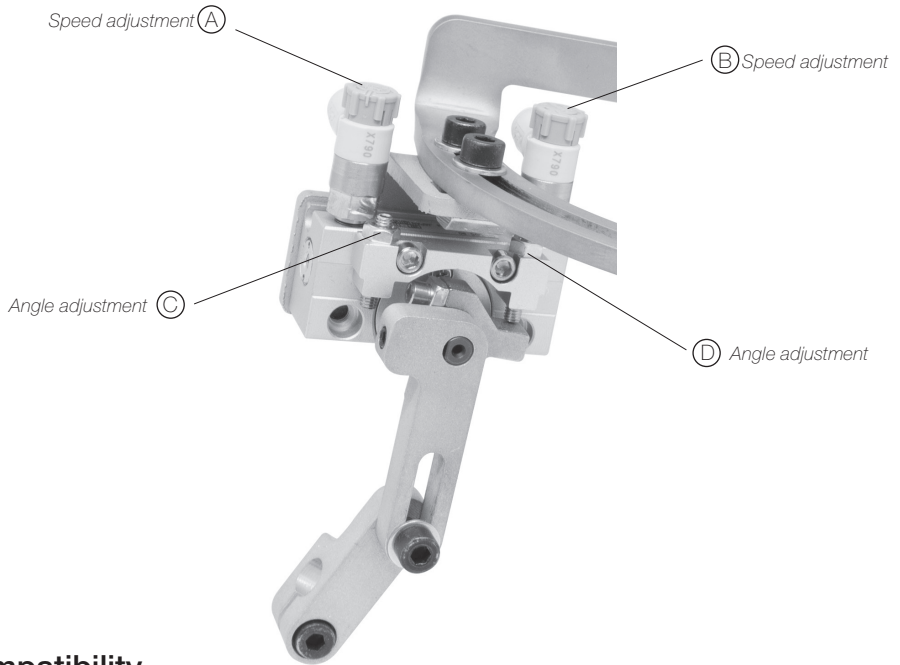
The position of the Dispensing Nozzle is adjustable depending on your needs. Loosen and tighten the M4 screws to change its position.



## Dispensing Nozzle movement adjustment

The movement of the Nozzle Actuator can be adjusted by regulating the following parts:

- By means of the two knobs, the upward (A) and the downward (B) movement speed can be throttled.
- The maximum angle of the Dispensing Nozzle movement is 90°. This angle can be reduced by screwing the grub screws (C) and (D).



## Compatibility

Soldering Head	Soldering Irons			
	TR245	TR470	TRA245	TRA470
RBA	●	●	●	●

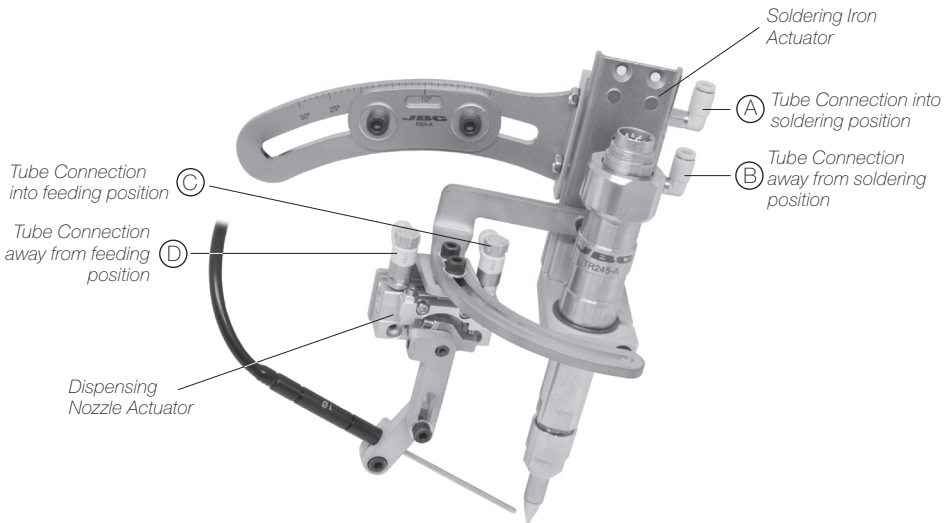
RBA, SFR, GSFR and CLMR are compatible with R245 and R470 ranges.

## Movements

The **Soldering Head for Automation** allows automatic movements through the following pneumatic actuators:

- Soldering Iron Actuator: with tube connection movement into (A) and away (B) from soldering position.
- Dispensing Nozzle Actuator: with tube connections for movement into (C) and away (D) from feeding position.

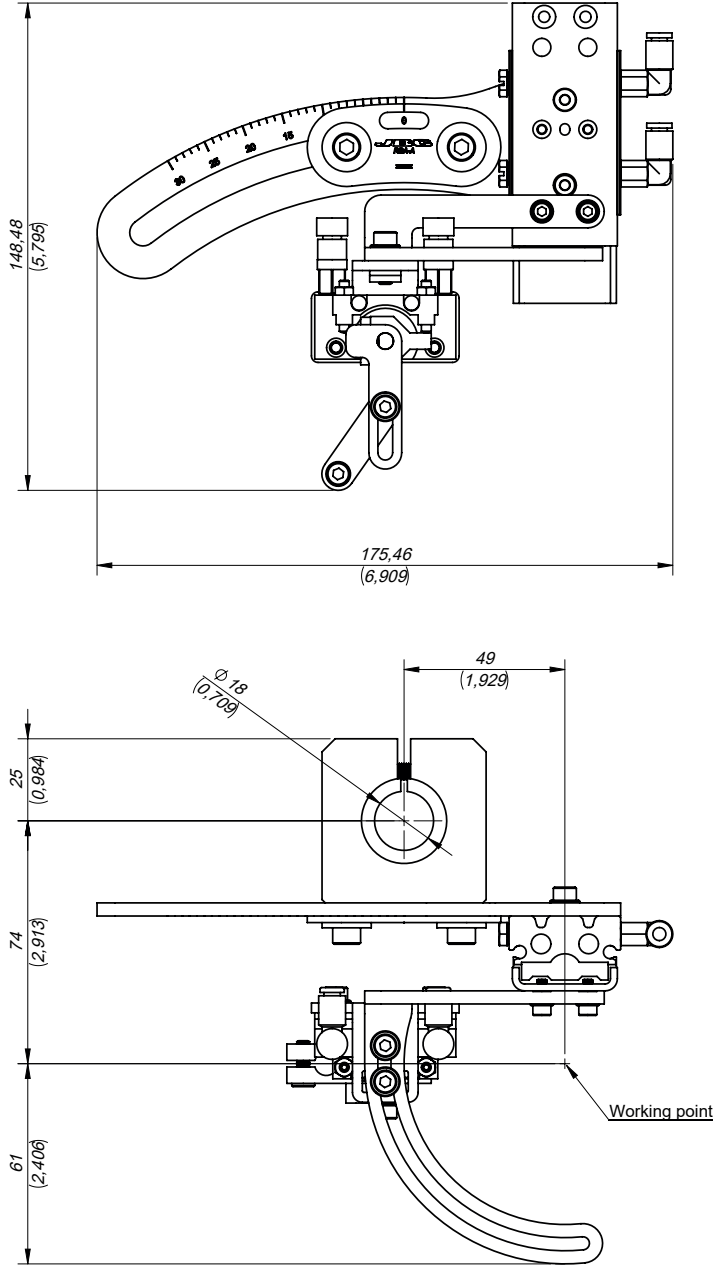
The Tool Actuator has a buffer of 5mm stroke to soften collision while soldering. You can adjust the Dispensing Nozzle Actuator speed by adjusting the fittings.



Soldering Iron Actuator	
Fluid	Air
Applicable tubing	Ø4mm
Operating pressure	0,15 to 0,7 MPa
Operating speed range	50 to 500 mm/s
Total Stroke	20mm

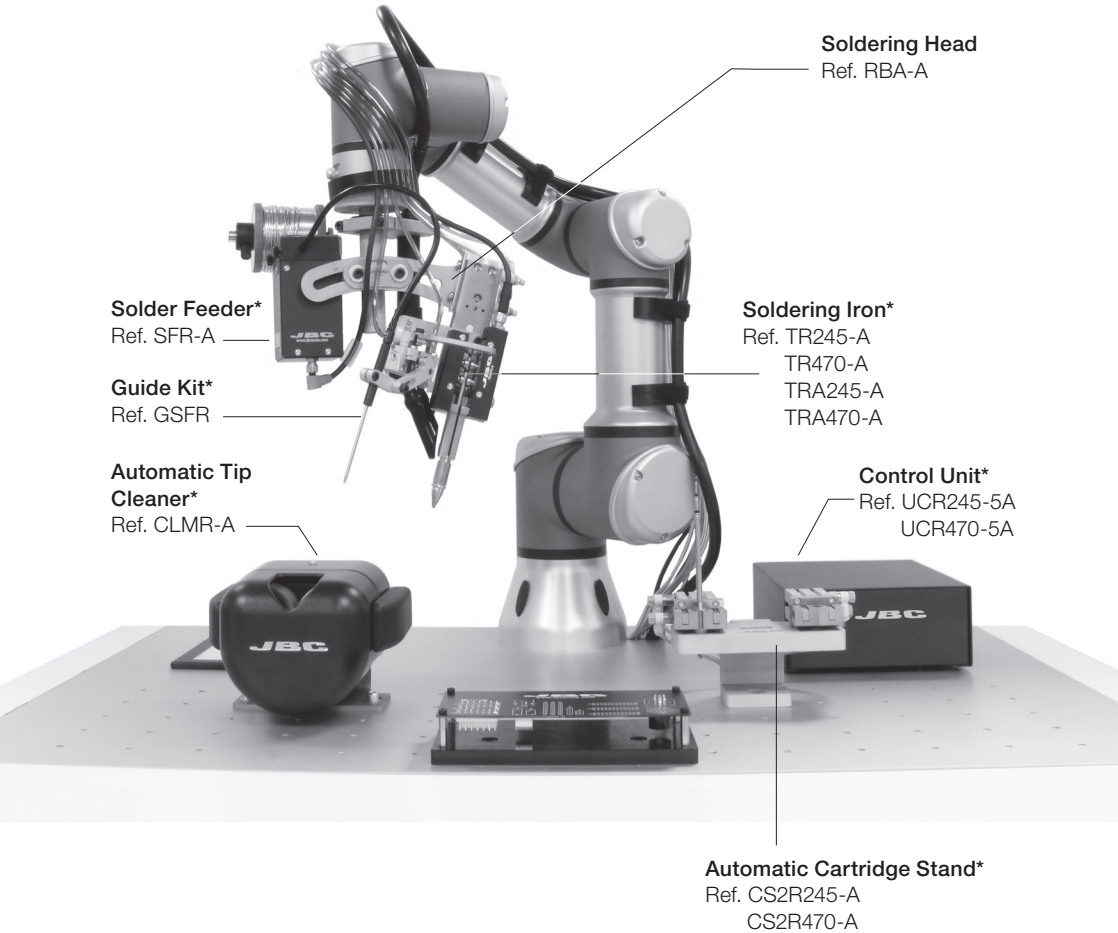
Dispensing Nozzle Actuator	
Fluid	Air
Applicable tubing	Ø4mm
Operating pressure	0,15 to 0,7 MPa
Operating speed	Adjustable
Rotation angle	90°

# Dimensions





## Work Place Example



*\*Not included, sold separately*

## Maintenance

- Before carrying out maintenance, always unplug the tool.
- Use a damp cloth to clean the tool. Alcohol can only be used to clean the metal parts.
- Periodically check that the metal parts of the tool are clean.
- Periodically check all cables and tube connections.
- Replace any defective or damaged pieces. Use original JBC spare parts only.
- Repairs should only be performed by a JBC authorized technical service.
- Under normal operating conditions, the air actuators lifespan is 10 million cycles. It is recommended to replace it at the end of its lifespan.

## Safety



**It is imperative to follow safety guidelines to prevent electric shock, injury, fire or explosion.**

- Do not use the tool for any purpose other than soldering or rework.
- The temperature of accessible surfaces may remain high after the unit is turned off. Handle with care.
- Avoid flux coming into contact with skin or eyes to prevent irritation.
- Be careful with the fumes produced while soldering.
- Keep your workplace clean and tidy. Wear appropriate protection glasses and gloves when working to avoid personal injury.
- Utmost care must be taken with liquid tin waste which can cause burns.



# Specifications

- Net Weight: 576 g (1.27 lb)
- Dimensions: 176 x 148 x 160 mm (6.92 x 5.83 x 6.30 in)

Complies with CE standards.  
ESD protected.

# JBC

---

## Warranty

JBC's two-year warranty covers this equipment against all manufacturing defects, including the replacement of defective parts and labour.

Warranty does not cover product wear or misuse.

In case of any manufacturing defect, the equipment must be returned, postage paid, to the dealer where it was purchased.

---



This product should not be thrown in the garbage.

In accordance with the European directive 2002/96/EC, electronic equipment at the end of their life must be collected and returned to an authorized recycling facility.



Manual in other languages available on our website

[www.jbctools.com](http://www.jbctools.com)