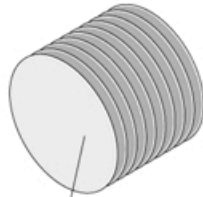
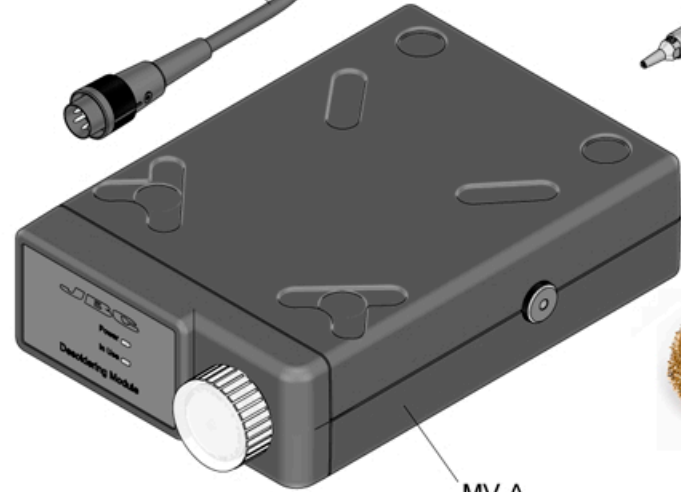


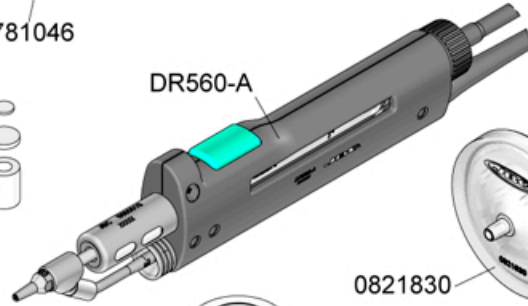
DIV-1D 120V
DIV-2D 230V
DIV-9D 100V

**PREMIUM DESOLDERING STATION
 WITH PNEUMATIC PUMP**



0781046

0008446



DR560-A

0821830

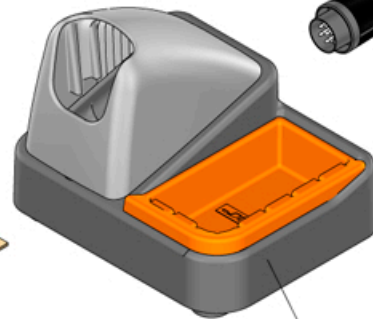
05966



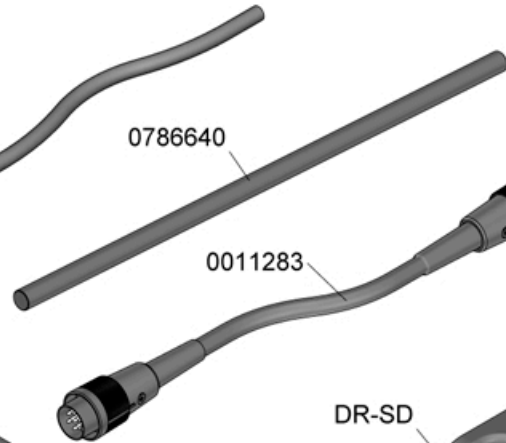
CL6210



S0354

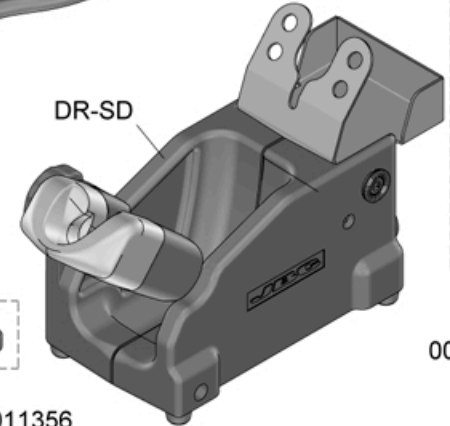


CL9885



0786640

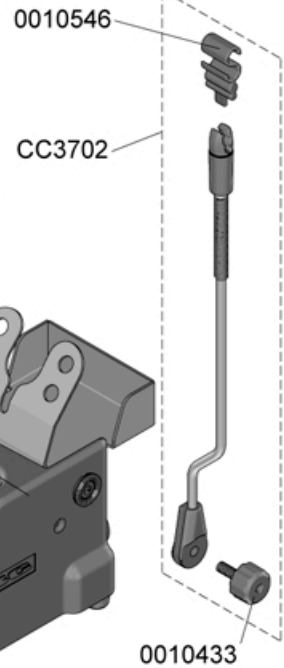
0011283



DR-SD



0011356



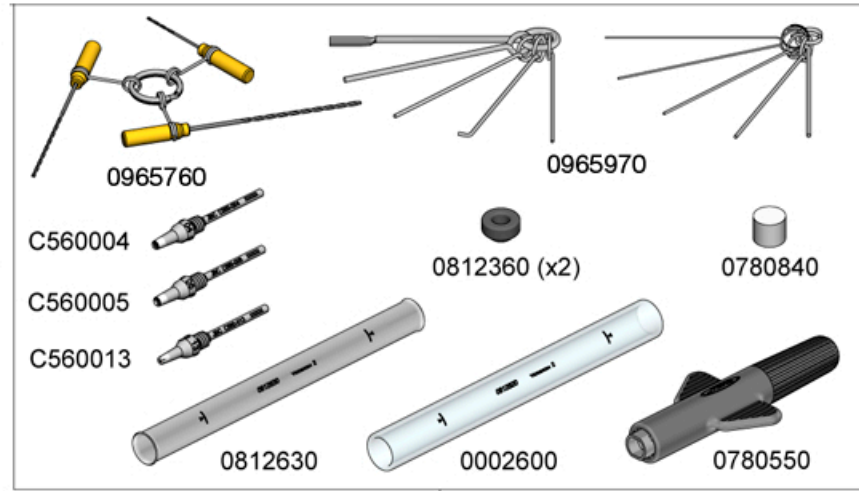
0010546

CC3702

0010433

SPARE PARTS	
DI-1D / DI-2D / DI-9D:	
-CIRCUIT	0013287
-ENCLOSURE	
· TOP	0011435
· BOTTOM	0014032
· FRONT	0013830
· BACK	0003506
MV-A:	
-CIRCUIT	0006811
-ENCLOSURE	
· TOP	0008843
· BOTTOM	0008844
· FRONT	0008835
· BACK	0008845
-SOLENOID VALVE	0006813

DIV-1D 120V FUSE T-2A
 DIV-2D 230V FUSE T-1A
 DIV-9D 100V FUSE T-2,5A



0965760

0965970

C560004

C560005

C560013

0812360 (x2)

0780840

0812630

0002600

0780550

0010211